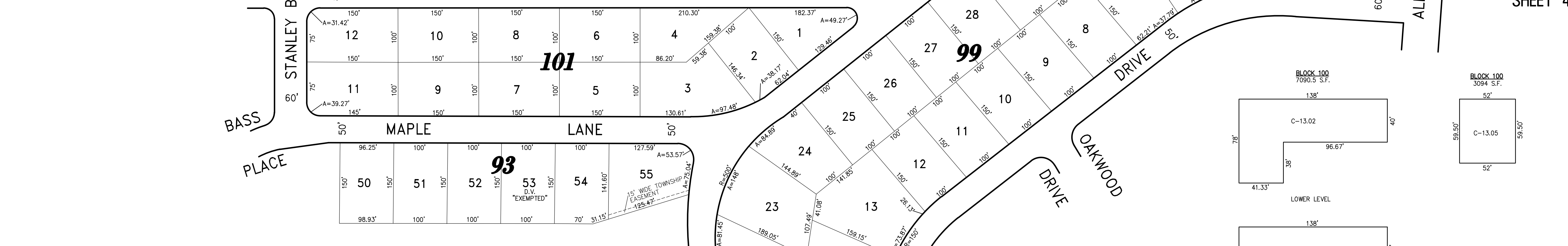
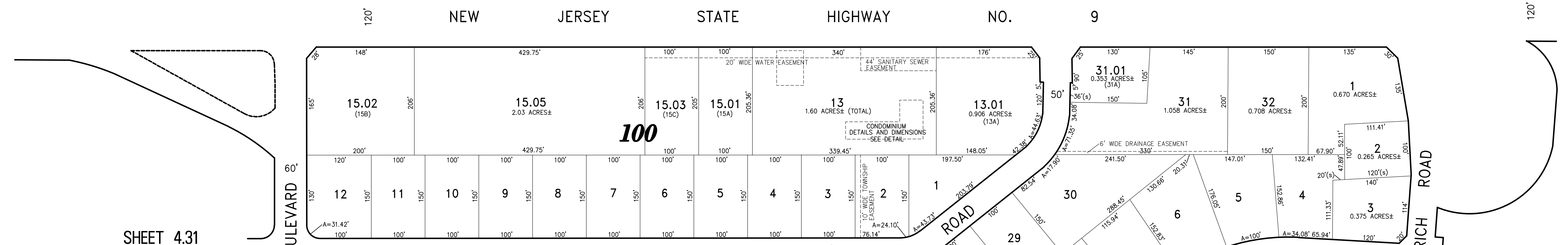
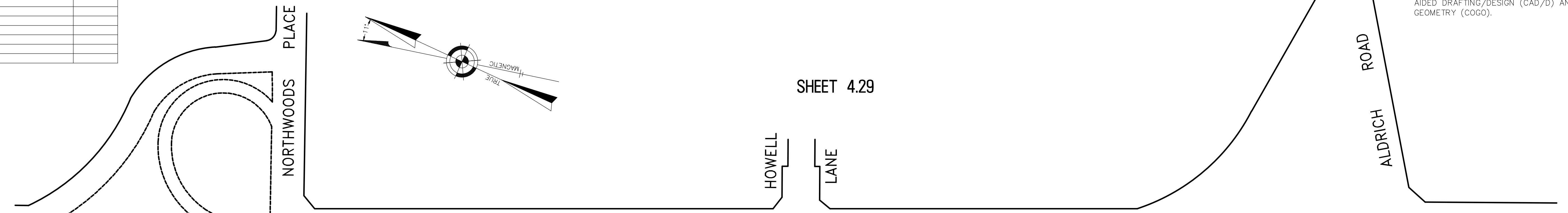
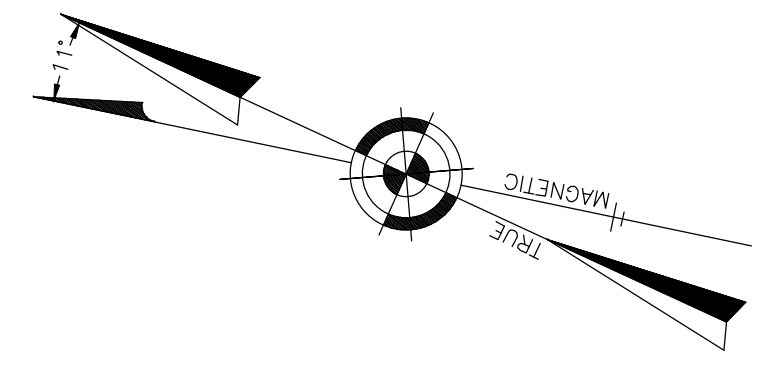


REVISIONS		
DATE	NAME	LIC. No.
02/15/16	GLEN J. LLOYD, P.L.S.	37598

NOTE:
THIS SHEET HAS BEEN DRAWN USING COMPUTER AIDED DRAFTING/DESIGN (CAD/D) AND COORDINATE GEOMETRY (COGO).



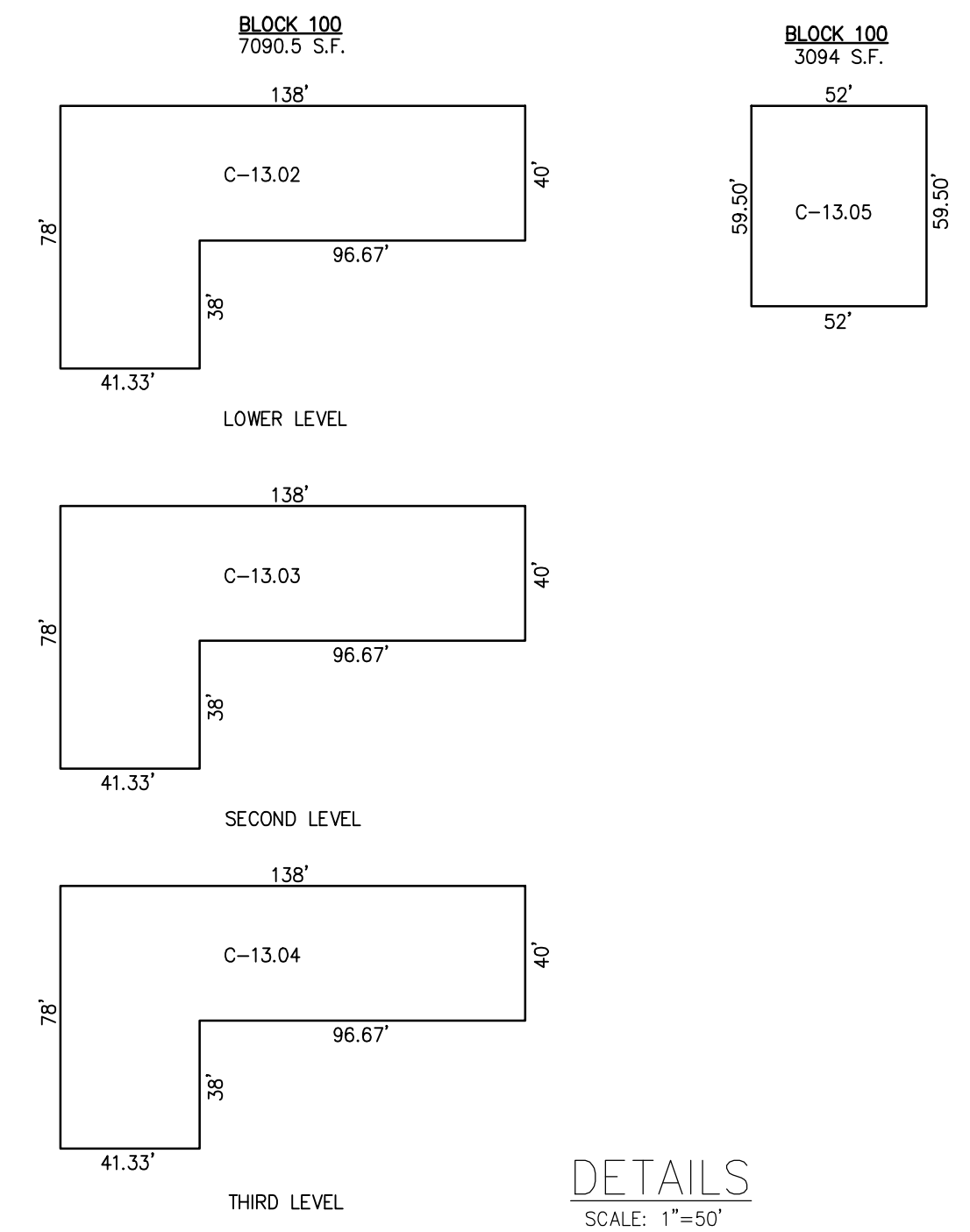
SHEET 4.31

SHEET 4.29

SHEET 4.44

SHEET 4.43

SHEET 4.33



DETAILS
SCALE: 1"=50'

THIS SHEET WAS FORMALLY CERTIFIED ON SEPTEMBER 14, 2009, ASSIGNED SERIAL NUMBER 941, SIGNED BY THOMAS J. REILLY, C.T.A., LOCAL PROPERTY, FIELD ASSISTANT AND SANTO C. DIDONATO, C.T.A., SUPERVISING FIELD REPRESENTATIVE.

TAX MAP
TOWNSHIP OF HOWELL

MONMOUTH COUNTY NEW JERSEY
SCALE: 1" = 100' DATE: 6-21-2005
CRAIG F. REMINGTON LAND SURVEYOR LIC. NO. 23924

REMINGTON, VERNICK & VENA ENGINEERS
24 GA 28003300
9 ALLEN STREET, TOMS RIVER, N.J. 08753
(732) 286-9220, FAX (732) 505-8416
WEB SITE ADDRESS: WWW.RVE.COM