

Sheds
**Township
Of
Howell**

**100 square feet or
under:**

Does not require a building permit.
Does require a land use permit.

**Greater than 100 but not
more than 200 square
feet:**

Does require a building permit.
Does require a land use permit.

Also required to have a floor system attached to walls.

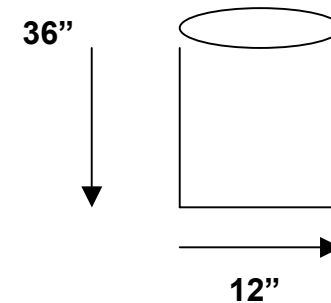
Also required to be set on a 4" Gravel base.

**Greater than 200 square
feet:**

Does require a building permit.
Does require a land use permit.

Also requires a foundation system that extends below the frost line.

Example:
Footings 12" Diameter X
36" Deep.



TOWNSHIP OF HOWELL
251 Preventorium Rd.
P.O. Box 580
Howell, NJ 07731
Phone: (732) 938-4500
Fax (732) 938-6492
CG